

General Information

The i-LED Montano 3C is a medium power house light designed for large area illumination applications such as auditoria and public spaces.

The fixture is based on a new 30W convection cooled intelligent LED module that can be supplied in a range of configurations from fixed white to full colour mixing. A range of 4 different reflectors can be fitted to the LED module to cater for any required beam spread from spot to wide flood.

The integrated power module on the reverse of the luminaire supports a range of protocols and connectivity options including wireless control.

Features

- 3 x 30W LED engine
- LED light engines available:
 - Fixed white in 2700k, 3000k, 5600k
 - Tunable white
 - Full colour mix RGBL
 - Customer specific LED options available
- 4 beam angles, from spot to flood
- Housing can be finished in any RAL colour
- Full CIE calibrated LED Light Engine
- Silent convection cooling
- Integrated detachable PSU module natively supports DMX with optional Wireless control.
- Can be further customized to specific customer requirements.

**Other custom LED configurations available on request.*

Innovation LED

Unit C1, Falcon Business Centre, Victoria Street, Chadderton, Oldham OL9 0HB, United Kingdom

Company Reg. No 8766835



+44 (0) 161 694 3666



sales@innovationleduk.com



www.innovationleduk.com

Specifications

Illumination Source

LED Details	Nichia / Custom colour COB depending on configuration
L70 Rating	50,000 hours

Colour

Colours available	2700K, 3200K, 5600K (Fixed white) 3200K->5600K (Tuneable white) Red-Green-Blue-Lime (Colour) Custom
Colour temperature range	2700K to 5600K (Tuneable white) 2700K to 6500K (Full colour configuration)
Calibration	Yes for colour variants
Special Colour Features	N/A

Optical

Beam angle range	10, 30, 45 degree (FWHM) with silver reflector 70 degree (FWHM) with diffuse white reflector
Aperture Size	120mm x 3
Gobo gate size	N/A
LED Flicker control	PWM Frequency adjustable via RDM
Dimming	16 bit high frequency PWM with tungsten emulation

Electrical

Power Requirement	Mains voltage
Input method	PowerCON or flying lead options
Voltage Range	90-264 VAC 47-63Hz
Inrush	60A max at 230 VAC
Wattage	100W
Current Draw	0.4A typical @ 230VAC

Thermal

Ambient Operating Temp	0 to 40 degrees C ambient
Cooling method	Convection cooled. No Fans

Physical

Materials	Powder coated steel and aluminium chassis
Colour options	Black, White, Custom
Mounting Options	Yoke with 12mm & 13mm holes
IP Rating	IP-20
Weight	7Kg
Included accessories	See accessory options
Notes	

General

Approvals	CE
Shipping method	Carton

Innovation LED

Unit C1, Falcon Business Centre, Victoria Street, Chadderton, Oldham OL9 0HB, United Kingdom

Company Reg. No 8766835



+44 (0) 161 694 3666

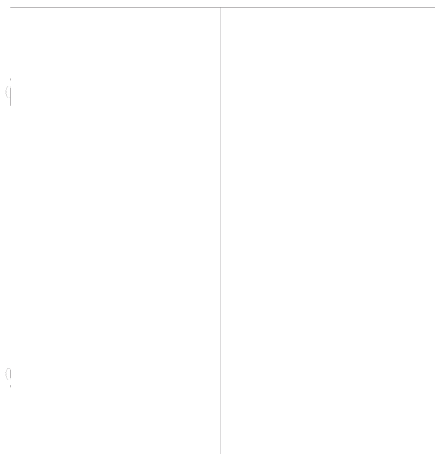
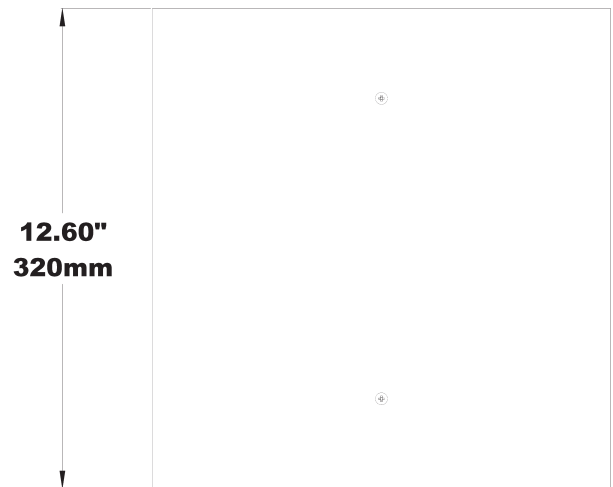
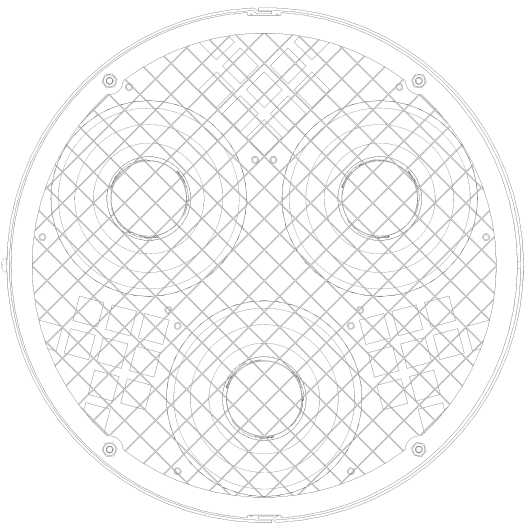
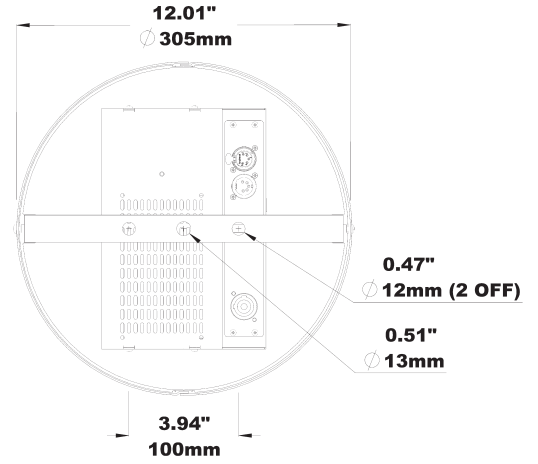
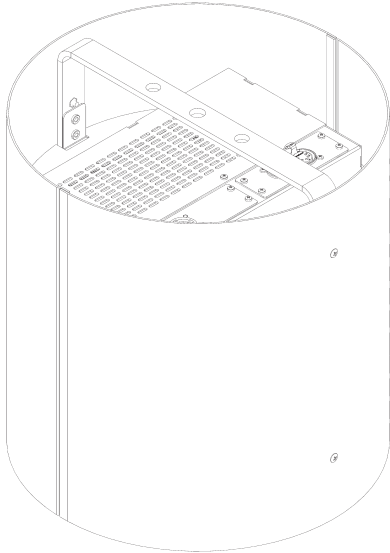


sales@innovationleduk.com



www.innovationleduk.com

Physical Dimensions



Innovation LED

Unit C1, Falcon Business Centre, Victoria Street, Chadderton,
Oldham OL9 0HB, United Kingdom
Company Reg. No 8766835



+44 (0) 161 694 3666
sales@innovationleduk.com
www.innovationleduk.com

Photometrics

Please contact the factory, sales@innovationleduk.com or +44 (0) 161 694 3666.

Colour Gamut

Please contact the factory, sales@innovationleduk.com or +44 (0) 161 694 3666.

Innovation LED

Unit C1, Falcon Business Centre, Victoria Street, Chadderton,
Oldham OL9 0HB, United Kingdom

Company Reg. No 8766835



+44 (0) 161 694 3666



sales@innovationleduk.com



www.innovationleduk.com

Ordering Information

Montano 3C (MNT3C) Option Tables

LED Colour Options	Order Code
2700K	1
3000K	2
5600K	3
Tuneable White	4
RGBL	5
CUSTOM	6

Beam Angle	Order Code
10°	10
30°	30
45°	45
70°	70

Data Connection	Order Code
XLR	X
ETHERCON	E
Wireless	R
Non-Dimming	N

Paint Finish Colour	Order Code
BLACK	B
WHITE	W
CUSTOM	C

Power Connection	Order Code
POWERCON	P
WIRE TAILS	WT

Example Order Code:

MNT3C-2-10-E-B-WT

Montano 3C, 3000K, 10 degree beam angle, RJ45 Ethercon Data input / output in black powder coat with mains power delivered through a wire tail.

Accessory Information

Montano 3C Accessory Options

Accessory Options	Order Code
EGG CRATE	MNT3LE

Accessory Paint Finish Colour	Order Code
BLACK	B
WHITE	W
CUSTOM	C

Accessory Example Order Code:

MNT3CE-B

Montano 3C egg-crate in black powder coat