



General Information

The Ilumo PAR is a fixed beam angle LED PAR fixture with features normally only found on high end fixtures. The standard light engine is fully calibrated and features 5 colour mixing to produce a color gamut 20% greater than its competition.

A graphical touch user interface provides simple intuitive operation with modes providing simple RGB operation or more advanced LED control.

The fixture provides DMX and Ethernet protocols as standard and a 7.5" filter frame allows beam angle adjustment with additional diffusion filters.

Features

- Red, Green, Blue, Lime, Cyan LED engine *
- Homogenized optics
- Theatrical grade 16 bit flicker free dimming
- Selectable ultra smooth dimmer curves
- Factory colour calibrated Light Engine
- i-LED Colour-Match™ technology
- Industry Standard 7.5" filter frame
- RDM functionality
- DMX 512 In / Thru
- Ethernet control as standard
- Ease of operation via full colour graphic OLED user interface and touch sense buttons
- Ultra quiet thermostatic fan cooling
- Housing can be powder coated any RAL colour on request

Innovation LED

Unit C1, Falcon Business Centre, Victoria Street, Chadderton,
Oldham OL9 0HB, United Kingdom

Company Reg. No 8766835



+44 (0) 161 694 3666



sales@innovationleduk.com



www.innovationleduk.com

Specifications

Illumination Source

LED Details	Luxeon CZ
L70 Rating	50,000 hours

Colour

Colours available	Red, Green, Blue, Lime, Cyan
Colour temperature range	2700K to 6500K
Calibration	Yes
Special Colour Features	

Optical

Beam angle range	31 degrees (FWHM)
Beam angle control	Fixed
Aperture Size	160mm
Gobo gate size	N/A
LED Flicker control	N/A. Fixed flicker free 1.2kHz
Dimming	16 bit high frequency PWM with tungsten emulation
Notes	Accepts industry standard 7.5" filter frame

Electrical

Power Requirement	Mains voltage
Input method	powerCON In and thru
Voltage Range	80-264 VAC 47-63Hz
Inrush	60A max at 230 VAC
Wattage	160W max
Current Draw	0.7A at 230 VAC

Thermal

Ambient Operating Temp	0 to 40 degrees C ambient
Cooling method	Ultra-quiet thermostatically controlled fan.

Physical

Materials	Powder coated steel chassis
Colour options	Black, White, Custom
Mounting Options	Yoke with 13mm hole
IP Rating	IP-20
Weight	6.5Kg
Included accessories	N/A
Notes	

General

Approvals	CE
Shipping method	Carton

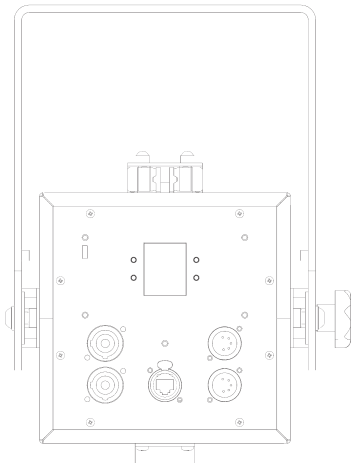
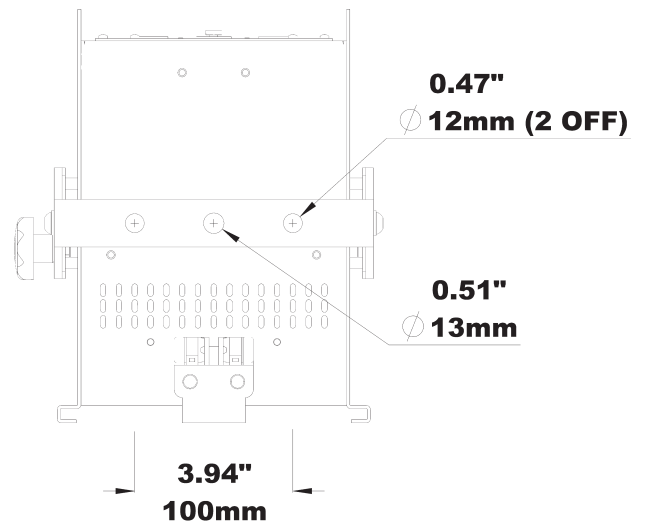
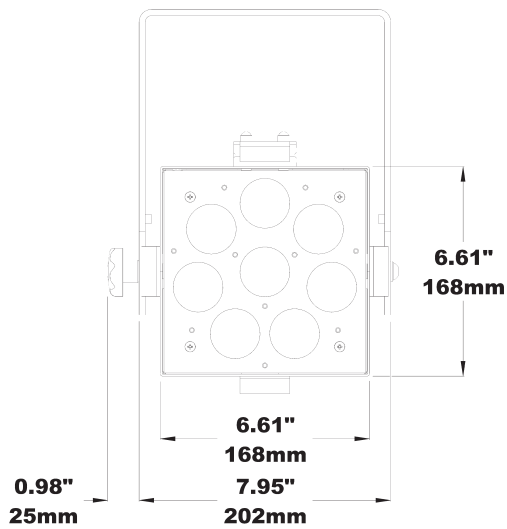
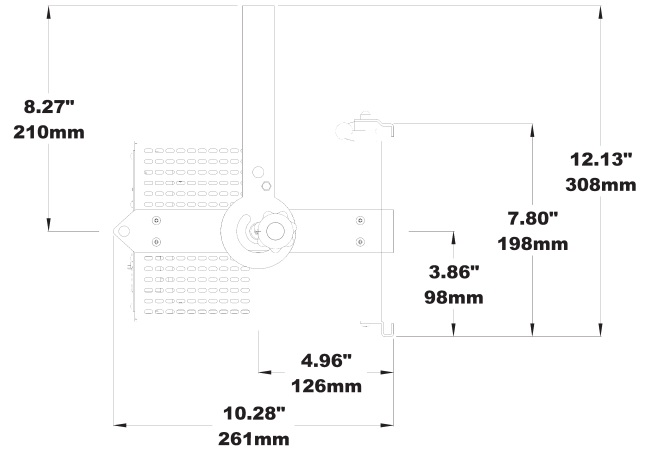
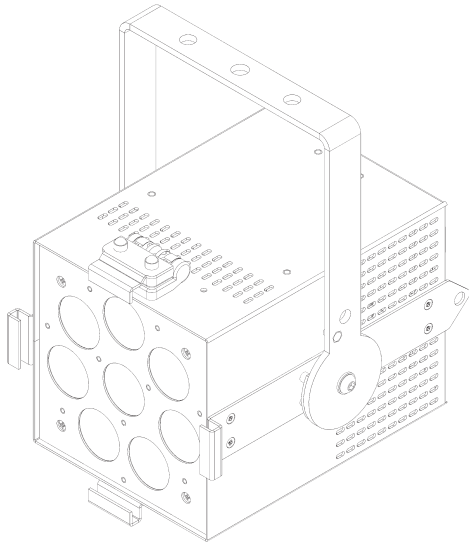
Innovation LED

Unit C1, Falcon Business Centre, Victoria Street, Chadderton, Oldham OL9 0HB, United Kingdom
Company Reg. No 8766835



+44 (0) 161 694 3666
sales@innovationleduk.com
www.innovationleduk.com

Physical Dimensions



Innovation LED

Unit C1, Falcon Business Centre, Victoria Street, Chadderton,
Oldham OL9 0HB, United Kingdom

Company Reg. No 8766835



+44 (0) 161 694 3666
sales@innovationleduk.com
www.innovationleduk.com

Photometrics

Please contact the factory, sales@innovationleduk.com or +44 (0) 161 694 3666.

Colour Gamut

Please contact the factory, sales@innovationleduk.com or +44 (0) 161 694 3666.

Innovation LED

Unit C1, Falcon Business Centre, Victoria Street, Chadderton,
Oldham OL9 0HB, United Kingdom

Company Reg. No 8766835



+44 (0) 161 694 3666



sales@innovationleduk.com



www.innovationleduk.com

Ordering Information

Ilumo PAR (ILP) Option Tables

LED Colour Options	Order Code
RGBLC	1
Custom	2

Paint Finish Colour	Order Code
BLACK	B
WHITE	W
CUSTOM	C

Data Connection	Order Code
Wireless	R

Example Order Code: ILP-1-B
Ilumo Par, RGBLC LEDs in black powder coat

Innovation LED

Unit C1, Falcon Business Centre, Victoria Street, Chadderton,
Oldham OL9 0HB, United Kingdom
Company Reg. No 8766835



+44 (0) 161 694 3666
sales@innovationleduk.com
www.innovationleduk.com