

General Information

The i-LED Adoni 2 is a revolutionary plug & play downlight that can be supplied with LED engines to suit any applications from fixed white light to full colour mixing.

Fitting standard 4" ceiling cut-outs, light engine drive electronics and calibration are contained within the luminaire housing. Power and data from the universal 'Cetus' PSU module is delivered to the fitting through standard RJ45 cables easing installation. The remote PSU module auto-detects the downlight allowing full mix and match with other products in the range.

An optional pendant adaptor/housing can be supplied for suspended mounting.

Features

- 25W LED engine
- Theatrical grade 16 bit flicker free dimming
- Bezel can be finished in any RAL colour
- LED light engines available:
 - Fixed white in 2700k, 3000k, 5600k
 - Tunable white
 - Full colour mix RRGBL
 - Customer specific LED selection
- 4 beam angles, from spot to flood.
- i-LED Colour-Calibration technology
- Easy installation using RJ45 cables
- Suspended pendant option
- 'Cetus' PSU modules support a range of control options including DMX, Dali, Ethernet and Wireless with support for Emergency power fail detect.

Innovation LED

Unit C1, Falcon Business Centre, Victoria Street, Chadderton, Oldham OL9 0HB, United Kingdom

Company Reg. No 8766835



+44 (0) 161 694 3666



sales@innovationleduk.com



www.innovationleduk.com

Specifications

Illumination Source

LED Details	Nichia / Custom colour COB depending on configuration
L70 Rating	50,000 hours

Colour

Colours available	2700K, 3200K, 5600K (Fixed white) 3200K->5600K (Tuneable white) Red-Green-Blue (Colour) Custom
Colour temperature range	2700K to 5600K (Tuneable white) 2700K to 6500K (Full colour configuration)
Calibration	Yes for colour variants
Special Colour Features	N/A

Optical

Beam angle range	10, 35, 60 degree (FWHM) with silver reflector 75 degree (FWHM) with diffuse white reflector
Aperture Size	60mm
Gobo gate size	N/A
LED Flicker control	PWM Frequency adjustable via PSU
Dimming	16 bit high frequency PWM with tungsten emulation

Electrical

Power Requirement	External 'Cetus' power supply required
Input method	RJ45 Connector
Voltage Range	48V typical
Inrush	N/A
Wattage	25W
Current Draw	0.5A typical

Thermal

Ambient Operating Temp	0 to 40 degrees C ambient
Cooling method	Silent – Convection cooled

Physical

Materials	Powder coated steel and aluminium
Colour options	Black, White, Custom
Mounting Options	101mm (4") ceiling cut out, secured by spring retainer Mounting thickness 1->10mm Available in suspended pendant version (-P option)
IP Rating	IP-20
Weight	200g
Included accessories	N/A
Notes	

Innovation LED

Unit C1, Falcon Business Centre, Victoria Street, Chadderton, Oldham OL9 0HB, United Kingdom

Company Reg. No 8766835



+44 (0) 161 694 3666

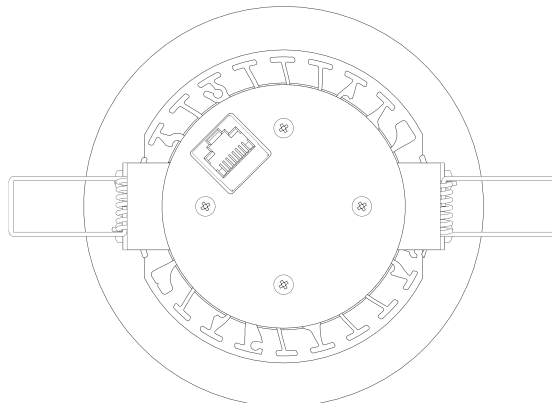
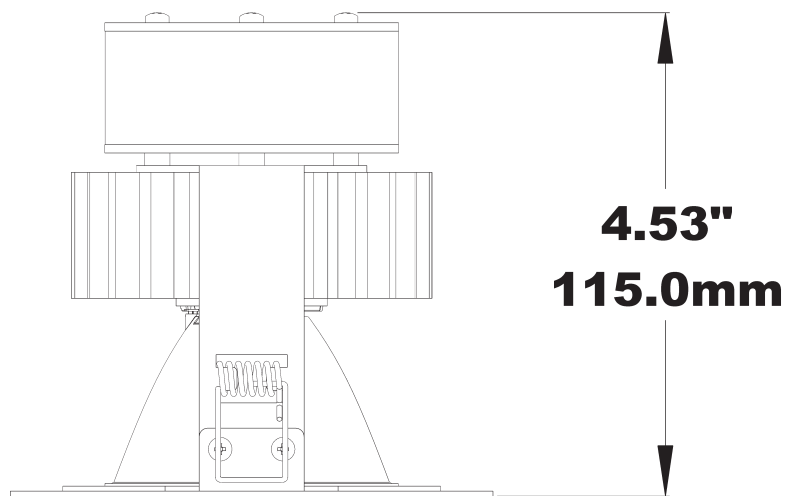
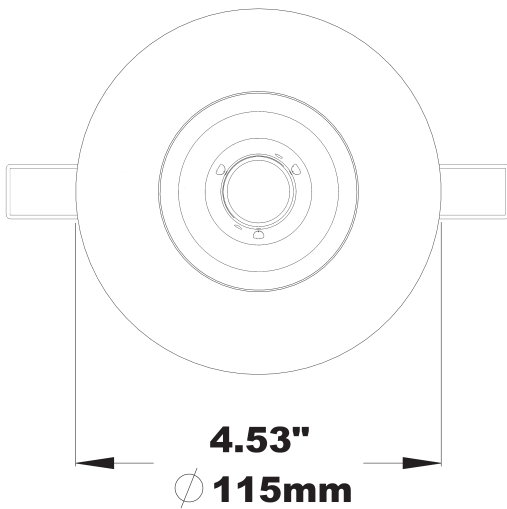
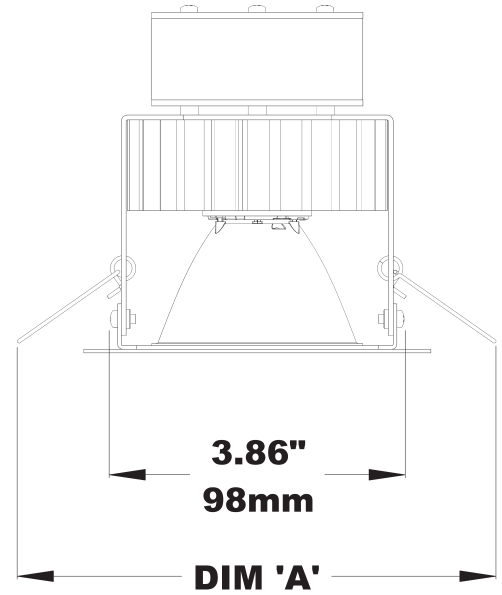
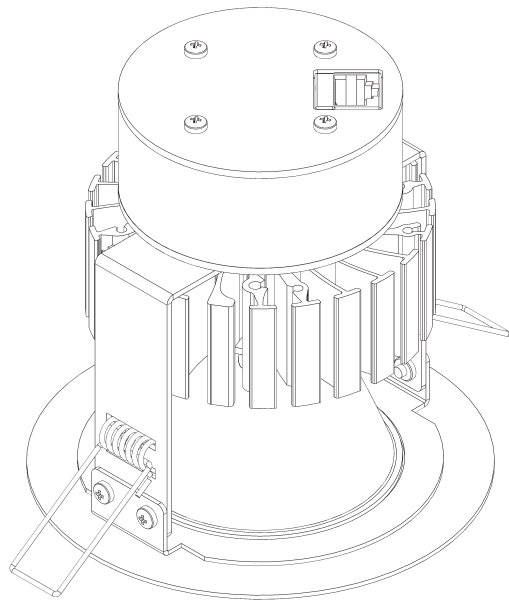


sales@innovationleduk.com



www.innovationleduk.com

Physical Dimensions



Innovation LED

Unit C1, Falcon Business Centre, Victoria Street, Chadderton,
Oldham OL9 0HB, United Kingdom

Company Reg. No 8766835



+44 (0) 161 694 3666

sales@innovationleduk.com

www.innovationleduk.com

Photometrics

Please contact the factory, sales@innovationleduk.com or +44 (0) 161 694 3666.

Colour Gamut

Please contact the factory, sales@innovationleduk.com or +44 (0) 161 694 3666.

Innovation LED

Unit C1, Falcon Business Centre, Victoria Street, Chadderton,
Oldham OL9 0HB, United Kingdom

Company Reg. No 8766835



+44 (0) 161 694 3666



sales@innovationleduk.com



www.innovationleduk.com

Ordering Information

Adoni 2 (ADN2) Option Tables

LED Colour Options	Order Code
2700K	1
3000K	2
5600K	3
Tuneable White	4
RGB Full Colour	5
CUSTOM	6

Beam Angle	Order Code
10°	10
35°	30
60°	60
75°	75

Paint Finish Colour	Order Code
BLACK	B
WHITE	W
CUSTOM	C

Mounting Option	Order Code
PENDANT	P

Example Order Code:

ADN2-4-75-B

Anoni 2, Tuneable white, 75 degree beam angle in black powder coat